

## 5646 / 5647 Two & Three Way Centre Case Latch System

### Features

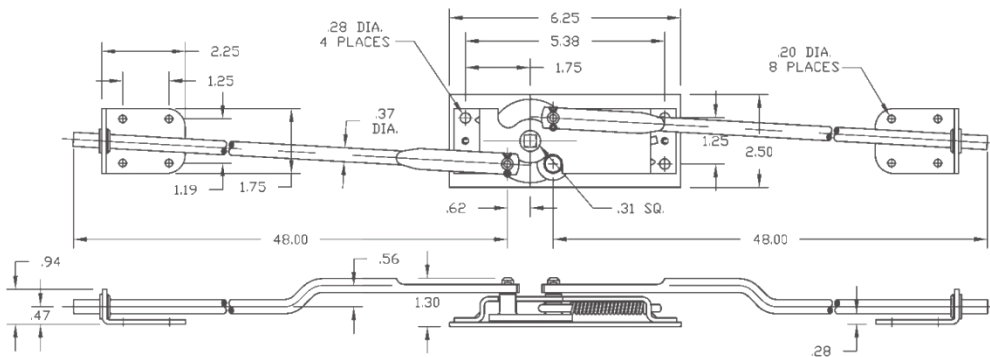
- 2 or 3-point latch with round rods plus rubber anti-rattle grommets in the rod guides
- Rod guides may be inverted for use as strikes

### Material

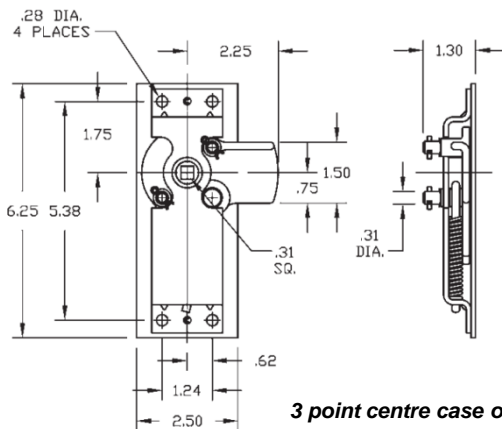
- Steel, zinc plated

### Notes

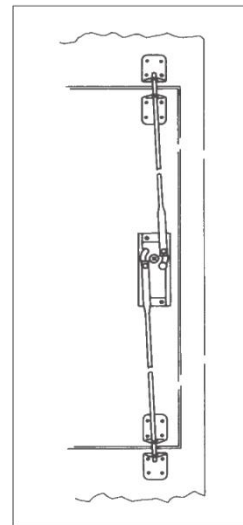
- Also available with malleable iron tumbler in centre case



5646-X2XX shown (2 point system, with centre case, rods and rod guides)



3 point centre case only shown



5646-X2XX  
(2 point)

Part No.	Description	Centre Case Tumbler Material
5646-X2XX	2 point centre case system, with rod and rod guides	Zinc die cast
5646-2XX		Malleable Iron
5647-X2XX	3 point centre case system, with rod and rod guides	Zinc die cast
5647-2XX		Malleable Iron

Dimensions in inches

We are Eberhard's exclusive distributor

